

GENERAL ENHANCEMENTS

THIRD PARTY INTEGRATION & 3D DRAWING ENGINE

Importing is now as easy as selecting the applicable importer and following the steps requested by the Editor dialogs.



INTEGRATION

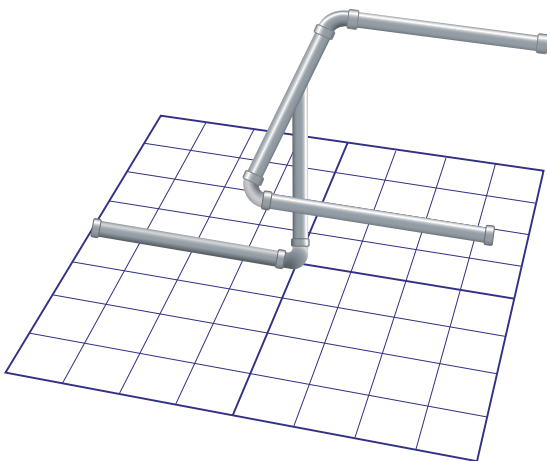
ANSYS
MATHCAD
NIST
ASPEN

VISUALIZATION & GRAPHING

3D graphing is now available for components. Users can plot the distribution of properties on a 3D graph. This is particularly useful when visualizing heat transfer and heat exchangers.

3D DRAWING & IMPORTING

After importing DXF files and shape files, users can visualize and modify systems using the new 3D drawing canvas.



QUICK SCRIPT

Scripting your own components has never been easier. The new quick script functionality in Flownex allows users to script a component without any knowledge of C sharp.

SUPERSONIC NOZZLE

The addition of a supersonic nozzle component allows users to accurately simulate shockwaves and propulsion systems.

“ It is unbelievable what we have achieved in the last 12 months; our approach of working closely with our clients and industry professionals to enhance Flownex’s capabilities had once again proven itself and allowed us to deliver a product that is well aligned to the groundbreaking advances our users are achieving. ”

TIAAN DERCKSEN -
PRINCIPAL, SOFTWARE DEVELOPMENT